

APPLICATION

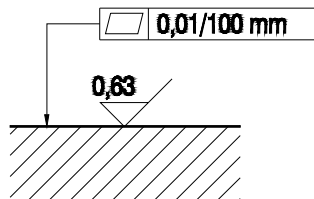
Rectifier sandwich plate type UZFC 16 is used to set flow direction on outlet from A to B independent of supply direction on inlet A1, B1. The valves are mounted under flow control valve type 2FRM 16 and have the same porting pattern.

1. - Sealing ring 26,6 x 3,5 - 2 pcs

Valve fixing screw - M10 x 160 - 10.9 to PN-74/M-82302 (DIN 912) - 4 pcs

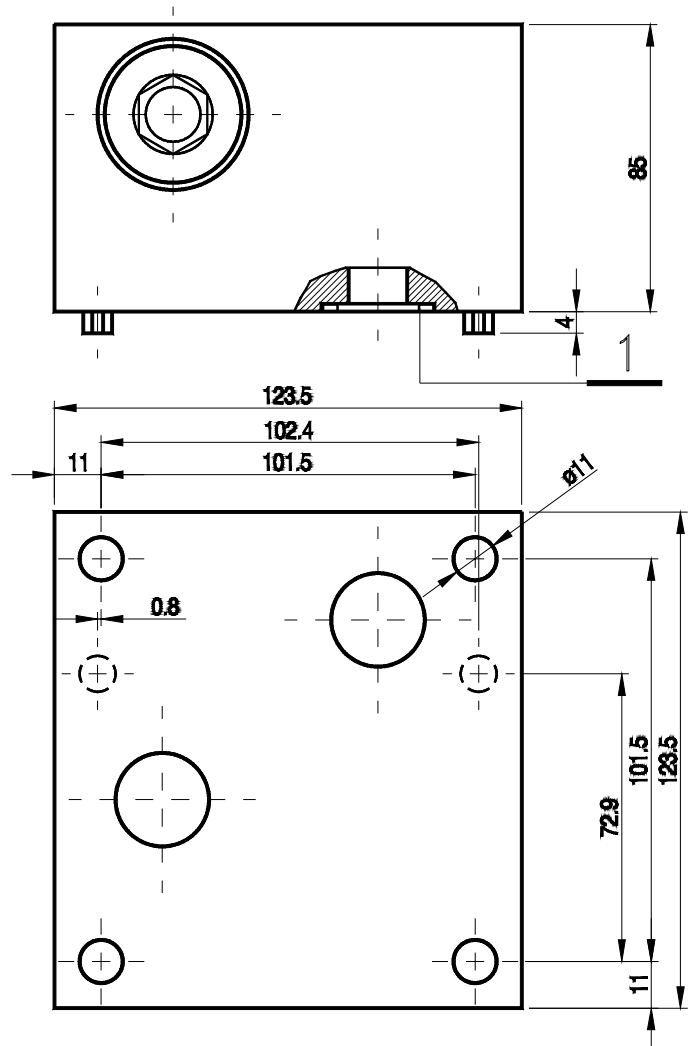
Tightening torque - 75 Nm.

The screws and subplate should be ordered separately.



Required surface finish of mating subplate face.

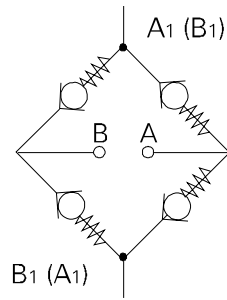
OVERALL AND CONNECTION DIMENSIONS



TECHNICAL DATA

Working medium	Mineral oil
Nominal fluid viscosity	37 mm ² /s at temp. 328 K
Viscosity range	2,8 do 380 mm ² /s
Optimum working temperature	313 - 328 K
Fluid temperature range	243 - 343 K
Filtration required	16 μm
Filtration required	10 μm
Cracking pressure	0,15 MPa
Weight	about 9,3 kg

DIAGRAM



HOW TO ORDER

Orders coded as below should be forwarded to the manufacturer.

UZFC	-16 / 22		*
-------------	-----------------	--	---

Rectifier sandwich plate	
Nominal size Size 16 = 16	
Series number 22 = 22 (20-29) = installation and connection dim. unchanged	
Sealing Rubber = no code Viton = V	
Further requirements in clear text (to agree with the manufacturer)	

Example: **UZFC - 16/22**

PONAR WADOWICE S.A.
ul. Wojska Polskiego 29
34-100 Wadowice
tel. 033/ 823 39 43, 823 30 41
fax 033/ 873 48 80
e-mail: ponar@ponar-wadowice.pl

